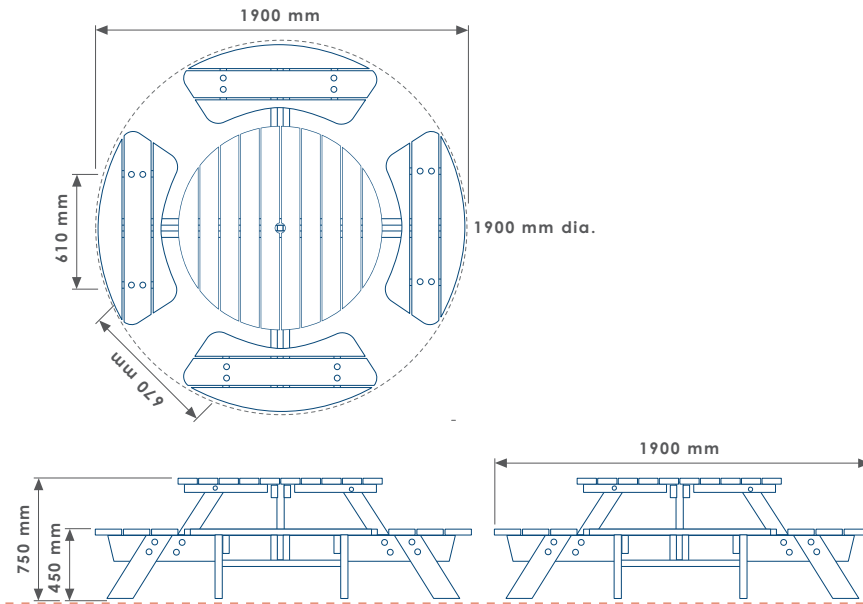




SPT306/FS/TS



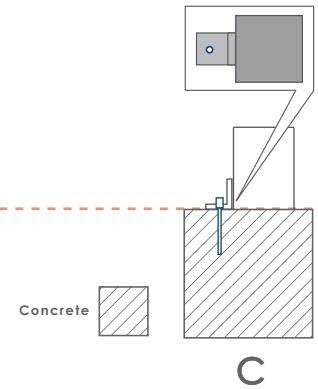
CODING METHOD				
PRODUCT CODE	FIXING METHOD	SLAT MATERIAL	METAL FINISH	OTHER
SPT306	FS	TS		

* Technical drawings not to scale

NOTE-

- Site Engineer to determine suitable fixing method.
- Fixing bolts by others - 12 mm dia. holes (use M10 bolts).

FINISHED GRADE



SHELDON PICNIC TABLE SPT306

PRODUCT DIMENSIONS	HEIGHT	750 mm	LENGTH	1900 mm	WIDTH	1900 mm	WEIGHT		CAPACITY		SEAT HEIGHT	450 mm	OVERALL DIAMETER	1900 mm
--------------------	--------	--------	--------	---------	-------	---------	--------	--	----------	--	-------------	--------	------------------	---------

FIXING OPTION	Direct Embedment/Root Fix	A		
	Below Finished Grade Base Fix	B		
	Surface Mount	C	<input checked="" type="checkbox"/>	
	Plinth Mount - Buff Exposed Aggregate	D-BEA		
	Plinth Mount - Buff Granite	D-BG		
	Plinth Mount - Grey Granite	D-GG		
	Free Standing	FS	<input checked="" type="checkbox"/>	
	Free Standing with Base Weight	FS-BW		
	Wall Mount	WM		
	Non Standard	NS		
To BREEAM Standard	B06/B08			
SLAT MATERIAL	Treated Redwood Class 3 Unstained	TRC3		
	Treated Redwood Class 3 Stained Dark Oak	TRC3-DO		
	Treated Redwood Class 4 Unstained	TRC4		
	Treated Redwood Class 4 Stained Dark Oak	TRC4-DO		
	Treated Softwood Unstained	TS	<input checked="" type="checkbox"/>	
	Douglas Fir	DF		
	FSC Hardwood Iroko	HI		
	Recycled Plastic - Black	RP-BK		
	Recycled Plastic - Grey	RP-GY		
	Recycled Plastic - Green	RP-GN		
Recycled Plastic - Brown	RP-BR			

METAL FINISH	Aluminium Powder Coated	APC		
	Galvanised	GL		
	Galvanised and Powder Coated	GPC		
	Zinc Plated and Powder Coated	PPC		
	Stainless Steel	SS-304/316		
TOP TYPE	Apex Top	AT		
	Chamfer Top	CT		
	Dome Top	DT		
	Flat Top	FT		
	Open Top	OT		
Slant Top	ST			

CONCRETE COLOUR	Concrete Colour - Light Grey	LG		
	Concrete Colour - White	WT		
	Concrete Colour - Buff	BF		
	Concrete Colour - Black	BK		
	Concrete Colour - Red	RD		
	Concrete Colour - Standard Grey	SG		
Concrete Colour - Non Standard	NS			
FINISH	Concrete Finish - Dressed Finish	DS		
	Concrete Finish - Satin Shine	SH		
	Concrete Finish - Deluxe Polish (top)	DP		
Concrete Finish - Textured Finish	TF			