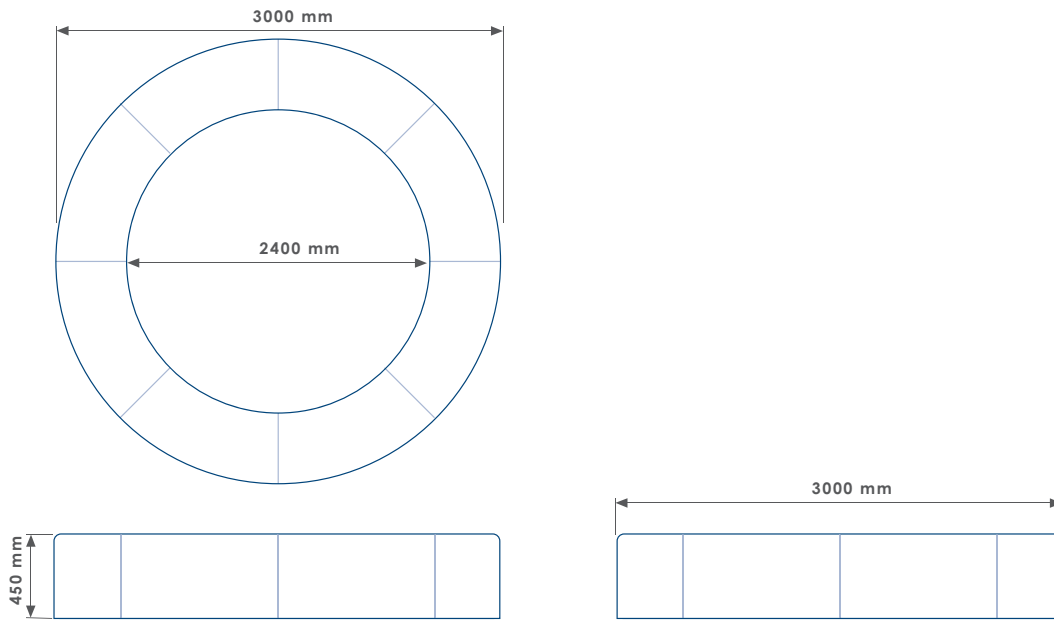




PPL404/FS/LG/DS



CODING METHOD				
PRODUCT CODE	FIXING METHOD	CONCRETE COLOUR	METAL FINISH	FINISH
PPL404	FS	LG		DS

* Technical drawings not to scale

NOTE-

- Site Engineer to determine suitable fixing method.
- Various aggregate options are available for differing polished top finishes and colours. Please ask sales person for options.

FINISHED GRADE

PEWSHAM PLANTER PPL404

PRODUCT DIMENSIONS		HEIGHT	450 mm	LENGTH	3000 mm	WIDTH	3000 mm	WEIGHT	2304 Kg	CAPACITY		SEAT HEIGHT		INTERNAL DIAMETER	2400 mm	
FIXING OPTION	Direct Embedment/Root Fix	A		SLAT MATERIAL	Treated Redwood Class 3 Unstained	TRC3		METAL FINISH	Aluminium Powder Coated	APC		CONCRETE COLOUR	Concrete Colour - Light Grey	LG	<input checked="" type="checkbox"/>	
	Below Finished Grade Base Fix	B			Treated Redwood Class 3 Stained Dark Oak	TRC3-DO			Galvanised	GL			Concrete Colour - White	WT	<input checked="" type="checkbox"/>	
	Surface Mount	C			Treated Redwood Class 4 Unstained	TRC4			Galvanised and Powder Coated	GPC			Concrete Colour - Buff	BF	<input checked="" type="checkbox"/>	
	Plinth Mount - Buff Exposed Aggregate	D-BEA			Treated Redwood Class 4 Stained Dark Oak	TRC4-DO			Zinc Plated and Powder Coated	PPC			Concrete Colour - Black	BK	<input checked="" type="checkbox"/>	
	Plinth Mount - Buff Granite	D-BG			Treated Softwood Unstained	TS			Stainless Steel	SS-304/316			Concrete Colour - Red	RD	<input checked="" type="checkbox"/>	
	Plinth Mount - Grey Granite	D-GG			Douglas Fir	DF			TOP TYPE	Apex Top	AT			Concrete Colour - Standard Grey	SG	<input checked="" type="checkbox"/>
	Free Standing	FS	<input checked="" type="checkbox"/>		FSC Hardwood Iroko	HI				Chamfer Top	CT			Concrete Colour - Non Standard	NS	<input checked="" type="checkbox"/>
	Free Standing with Base Weight	FS-BW			Recycled Plastic - Black	RP-BK				Dome Top	DT			Concrete Finish - Dressed Finish	DS	<input checked="" type="checkbox"/>
	Wall Mount	WM			Recycled Plastic - Grey	RP-GY				Flat Top	FT			Concrete Finish - Satin Shine	SH	<input checked="" type="checkbox"/>
	Non Standard	NS			Recycled Plastic - Green	RP-GN				Open Top	OT			Concrete Finish - Deluxe Polish (top)	DP	<input checked="" type="checkbox"/>
To BREEAM Standard	B06/B08		Recycled Plastic - Brown	RP-BR		Slant Top	ST			Concrete Finish - Textured Finish	TF	<input checked="" type="checkbox"/>				