

# MALFORD SMOKING SHELTER

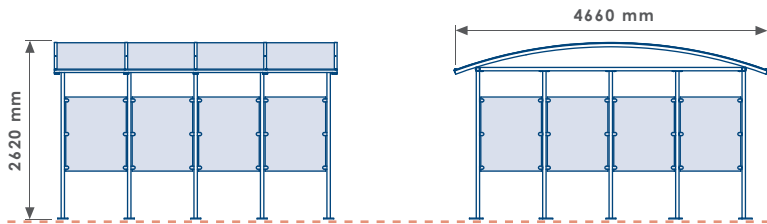
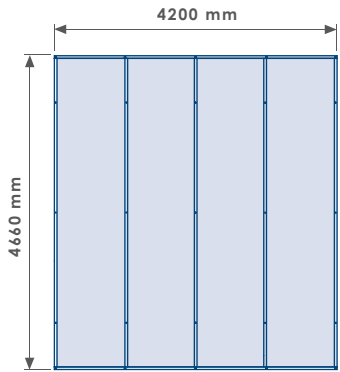
MSS202



MSS202/C/GPC



MLC200/ASH



Also available in 4660 x 2100 mm and 6990 x 3200 mm

### CODING METHOD

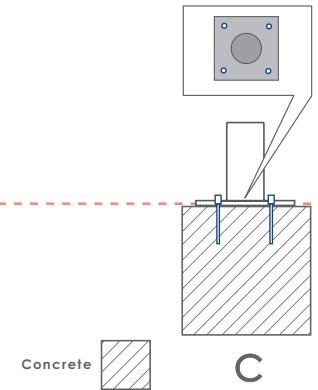
PRODUCT CODE	FIXING METHOD	SLAT MATERIAL	METAL FINISH	OTHER
MSS202	C		GPC	

\* Technical drawings not to scale

#### NOTE-

- Site Engineer to determine suitable fixing method.
- Fixing bolts by others - 12 mm dia. holes (use M10 bolts).
- Size of concrete foundation and concrete mix to be determined on site taking ground conditions into account and any risk of wind exposure.
- Roofing in 10mm twin wall opaque polycarbonate.
- Side walls in 10mm toughened glass or 4mm Clear Polycarbonate.
- Entrance opening can be site specific.
- Wind and Snow calculations available on these units.

FINISHED GRADE



## MALFORD SMOKING SHELTER MSS202

PRODUCT DIMENSIONS		HEIGHT	2620 mm	LENGTH	4200 mm	WIDTH	4660 mm	WEIGHT		CAPACITY		SEAT HEIGHT		OTHER		
FIXING OPTION	Direct Embedment/Root Fix	A		SLAT MATERIAL	Treated Redwood Class 3 Unstained	TRC3		METAL FINISH	Aluminium Powder Coated	APC		CONCRETE COLOUR	Concrete Colour - Light Grey	LG		
	Below Finished Grade Base Fix	B			Treated Redwood Class 3 Stained Dark Oak	TRC3-DO			Galvanised	GL	<input checked="" type="checkbox"/>		Concrete Colour - White	WT		
	Surface Mount	C	<input checked="" type="checkbox"/>		Treated Redwood Class 4 Unstained	TRC4			Galvanised and Powder Coated	GPC	<input checked="" type="checkbox"/>		Concrete Colour - Buff	BF		
	Plinth Mount - Buff Exposed Aggregate	D-BEA			Treated Redwood Class 4 Stained Dark Oak	TRC4-DO			Zinc Plated and Powder Coated	PPC			Concrete Colour - Black	BK		
	Plinth Mount - Buff Granite	D-BG			Treated Softwood Unstained	TS			Stainless Steel	SS-304/316			Concrete Colour - Red	RD		
	Plinth Mount - Grey Granite	D-GG			Douglas Fir	DF			TOP TYPE	Apex Top	AT			Concrete Colour - Standard Grey	SG	
	Free Standing	FS			FSC Hardwood Iroko	HI				Chamfer Top	CT			Concrete Colour - Non Standard	NS	
	Free Standing with Base Weight	FS-BW			Recycled Plastic - Black	RP-BK				Dome Top	DT			Concrete Finish - Dressed Finish	DS	
	Wall Mount	WM			Recycled Plastic - Grey	RP-GY				Flat Top	FT			Concrete Finish - Satin Shine	SH	
	Non Standard	NS			Recycled Plastic - Green	RP-GN				Open Top	OT			Concrete Finish - Deluxe Polish (top)	DP	
To BREEAM Standard	B06/B08		Recycled Plastic - Brown	RP-BR		Slant Top	ST			Concrete Finish - Textured Finish	TF					