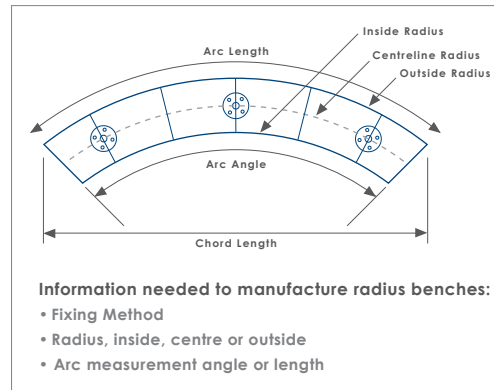
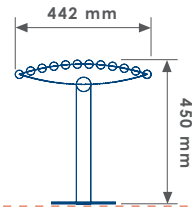
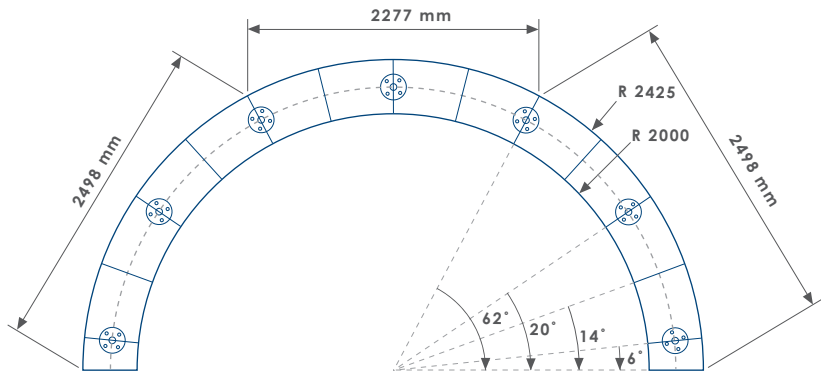




MBN206/C/GL



**Information needed to manufacture radius benches:**

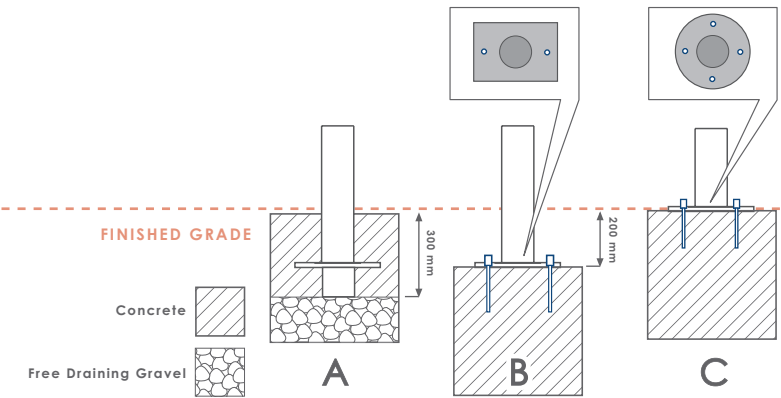
- Fixing Method
- Radius, inside, centre or outside
- Arc measurement angle or length

| CODING METHOD |               |               |              |       |
|---------------|---------------|---------------|--------------|-------|
| PRODUCT CODE  | FIXING METHOD | SLAT MATERIAL | METAL FINISH | OTHER |
| MBN206        | C             |               | GL           |       |

\* Technical drawings not to scale

**NOTE-**

- Site Engineer to determine suitable fixing method.
- Fixing bolts by others - 12 mm dia. holes (use M10 bolts).
- Size of concrete foundation and concrete mix to be determined on site taking ground conditions into account (Suggested minimum size 450 mm x 450 mm x 450 mm).



# MALFORD BASELINE RADIUS BENCH MBN206

| PRODUCT DIMENSIONS | HEIGHT | 450 mm | LENGTH | to spec | WIDTH | 442 mm | WEIGHT |  | CAPACITY |  | SEAT HEIGHT |  | OTHER |  |
|--------------------|--------|--------|--------|---------|-------|--------|--------|--|----------|--|-------------|--|-------|--|
|--------------------|--------|--------|--------|---------|-------|--------|--------|--|----------|--|-------------|--|-------|--|

| FIXING OPTION      | Direct Embedment/Root Fix             | A                        | <input checked="" type="checkbox"/> |
|--------------------|---------------------------------------|--------------------------|-------------------------------------|
|                    | Below Finished Grade Base Fix         | B                        | <input checked="" type="checkbox"/> |
|                    | Surface Mount                         | C                        | <input checked="" type="checkbox"/> |
|                    | Plinth Mount - Buff Exposed Aggregate | D-BEA                    | <input type="checkbox"/>            |
|                    | Plinth Mount - Buff Granite           | D-BG                     | <input type="checkbox"/>            |
|                    | Plinth Mount - Grey Granite           | D-GG                     | <input type="checkbox"/>            |
|                    | Free Standing                         | FS                       | <input type="checkbox"/>            |
|                    | Free Standing with Base Weight        | FS-BW                    | <input type="checkbox"/>            |
|                    | Wall Mount                            | WM                       | <input type="checkbox"/>            |
|                    | Non Standard                          | NS                       | <input type="checkbox"/>            |
| To BREEAM Standard | B06/B08                               | <input type="checkbox"/> |                                     |

| SLAT MATERIAL            | Treated Redwood Class 3 Unstained        | TRC3                     | <input type="checkbox"/> |
|--------------------------|--|--------------------------|--------------------------|
|                          | Treated Redwood Class 3 Stained Dark Oak | TRC3-DO                  | <input type="checkbox"/> |
|                          | Treated Redwood Class 4 Unstained        | TRC4                     | <input type="checkbox"/> |
|                          | Treated Redwood Class 4 Stained Dark Oak | TRC4-DO                  | <input type="checkbox"/> |
|                          | Treated Softwood Unstained               | TS                       | <input type="checkbox"/> |
|                          | Douglas Fir                              | DF                       | <input type="checkbox"/> |
|                          | FSC Hardwood Iroko                       | HI                       | <input type="checkbox"/> |
|                          | Recycled Plastic - Black                 | RP-BK                    | <input type="checkbox"/> |
|                          | Recycled Plastic - Grey                  | RP-GY                    | <input type="checkbox"/> |
|                          | Recycled Plastic - Green                 | RP-GN                    | <input type="checkbox"/> |
| Recycled Plastic - Brown | RP-BR                                    | <input type="checkbox"/> |                          |

| METAL FINISH | Aluminium Powder Coated       | APC                      | <input type="checkbox"/>            |
|--------------|-------------------------------|--------------------------|-------------------------------------|
|              | Galvanised                    | GL                       | <input checked="" type="checkbox"/> |
|              | Galvanised and Powder Coated  | GPC                      | <input type="checkbox"/>            |
|              | Zinc Plated and Powder Coated | PPC                      | <input checked="" type="checkbox"/> |
|              | Stainless Steel               | SS-304/316               | <input checked="" type="checkbox"/> |
|              | Apex Top                      | AT                       | <input type="checkbox"/>            |
|              | Chamfer Top                   | CT                       | <input type="checkbox"/>            |
|              | Dome Top                      | DT                       | <input type="checkbox"/>            |
|              | Flat Top                      | FT                       | <input type="checkbox"/>            |
|              | Open Top                      | OT                       | <input type="checkbox"/>            |
| Slant Top    | ST                            | <input type="checkbox"/> |                                     |

| CONCRETE COLOUR                   | Concrete Colour - Light Grey          | LG                       | <input type="checkbox"/> |
|-----------------------------------|---------------------------------------|--------------------------|--------------------------|
|                                   | Concrete Colour - White               | WT                       | <input type="checkbox"/> |
|                                   | Concrete Colour - Buff                | BF                       | <input type="checkbox"/> |
|                                   | Concrete Colour - Black               | BK                       | <input type="checkbox"/> |
|                                   | Concrete Colour - Red                 | RD                       | <input type="checkbox"/> |
|                                   | Concrete Colour - Standard Grey       | SG                       | <input type="checkbox"/> |
|                                   | Concrete Colour - Non Standard        | NS                       | <input type="checkbox"/> |
|                                   | Concrete Finish - Dressed Finish      | DS                       | <input type="checkbox"/> |
|                                   | Concrete Finish - Satin Shine         | SH                       | <input type="checkbox"/> |
|                                   | Concrete Finish - Deluxe Polish (top) | DP                       | <input type="checkbox"/> |
| Concrete Finish - Textured Finish | TF                                    | <input type="checkbox"/> |                          |

Baseline products are the copyright of Benchmark Design Ltd and are available from Langley Design as a collaboration.